



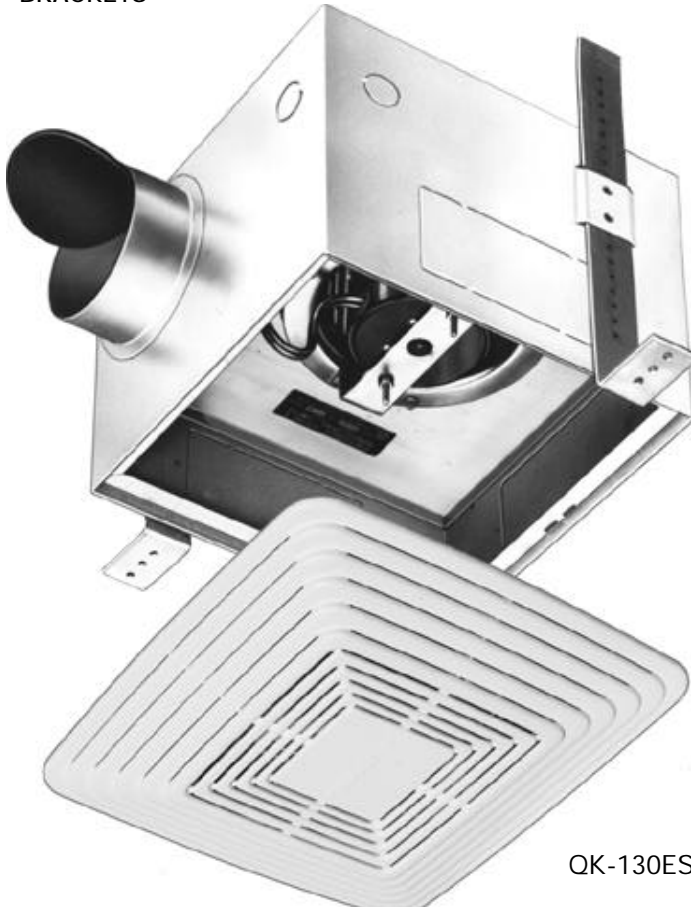
QK-130ES, QK-150ES

# XL SERIES

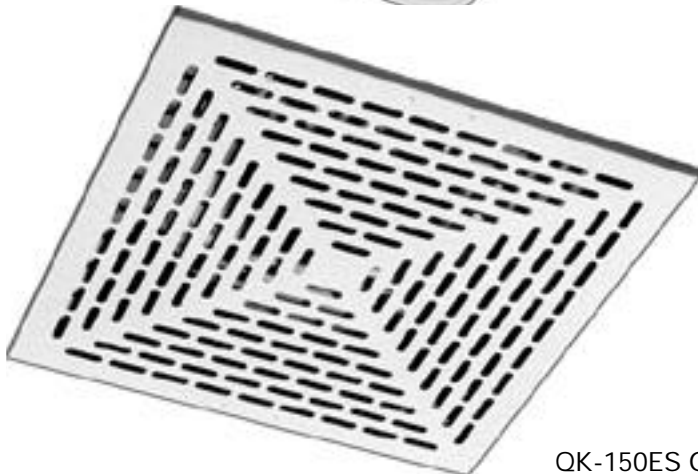
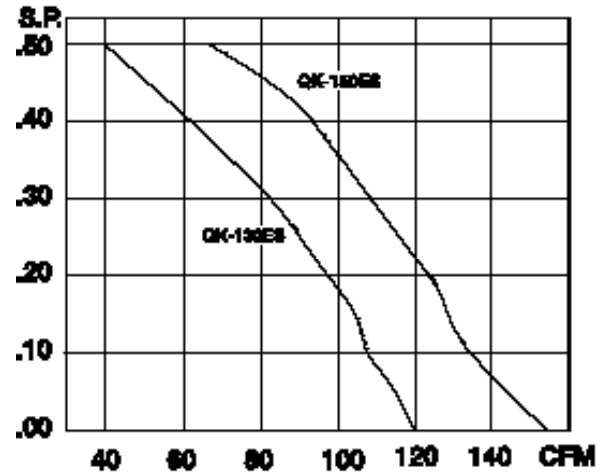
OUR SUPER QUIET EXHAUST FANS QK-130ES, QK-150ES ARE SPECIALLY DESIGNED FOR BATHROOM EXHAUST. QK-150ES FAN IS IDEAL FOR APPLICATIONS WHERE YOU REQUIRE HIGH PERFORMANCE AND LOW NOISE LEVELS. FANS ARE AVAILABLE WITH MOUNTING BRACKETS

## QK-130 ES BATHROOM EXHAUST FAN

## QK-150ES SUPER QUIET EXHAUST FAN 1.0 SONE



QK-130ES GRILLE



QK-150ES GRILLE

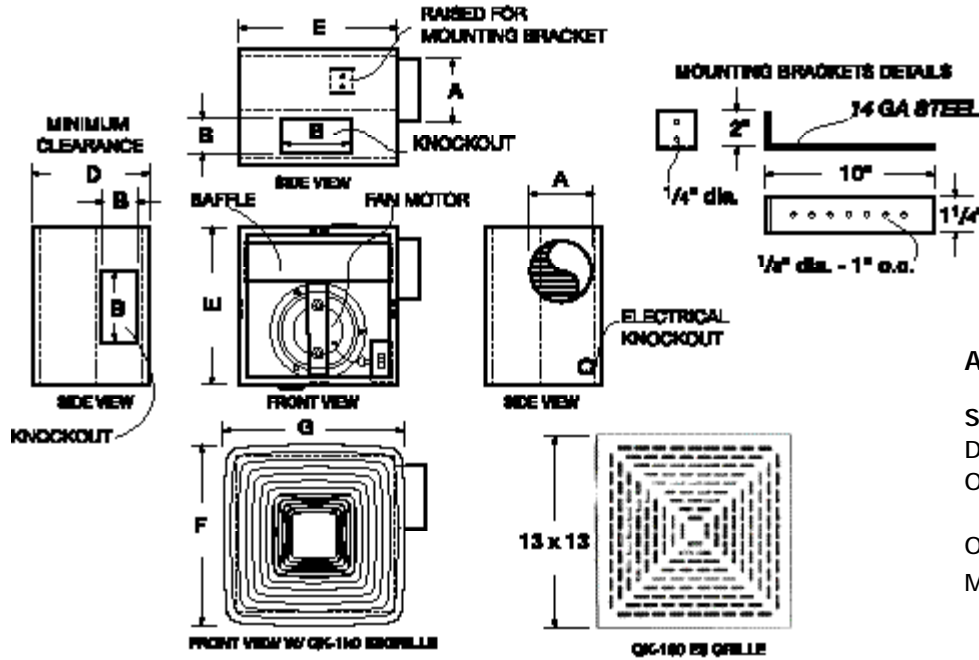


July, 2005

Reversomatic Manufacturing Ltd.

790 ROWNTREE DAIRY ROAD • WOODBRIDGE, ONTARIO, CANADA L4L 5V3 • PHONE (905) 851-6701 • FAX (905) 851-8376

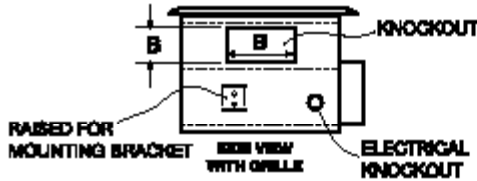
# QK-130ES, QK-150ES EXHAUST FAN



### ACCESSORIES

- STANDARD DAMPER
- OFF WHITE GRILLE

- OPTIONAL MOUNTING BRACKETS



### DIMENSION DATA

Fan Type	A	B	C	D	E	F	G
QK-130ES	5	2 1/2	5	7 1/2	10	11 1/2	11 1/2
QK-150ES	8	2 1/2	5	8	12	13	13

All dimensions shown in inches

### FAN DATA

FAN MODEL	MOTOR 120 VAC 60 Hz			CUBIC FEET PER MINUTE										
	RPM	AMPS	WATTS	S.P.	.0	.05	.10	.15	.20	.25	.3	.35	.40	.50
QK-130ES	1000	0.20	29	CFM	120	114	108	103	97	90	82	72	62	40
QK-150ES	800	0.20	33	CFM	154	142	135	129	123	116	109	101	93	67

RPM (Revolutions per minute) shown is nominal and performance is based on actual speed of test. Unit was tested with inlet grille, backdraft damper and outlet duct.

### SOUND RATING

OCTAVE		1	2	3	4	5	6	7	8
CENTRE FREQUENCY Hz.		63	125	250	500	1000	2000	4000	8000
QK-130ES	FULL-OCTAVE BAND SOUND PRESSURE LEVEL (dB)	44	51	49	50	46	40	33	27
QK-150ES		45	42	46	45	44	35	30	25

HVI CERTIFIED RATING      QK-130ES: 1.5 SONE, 100 CFM at 0.10" S.P.  
 QK-150ES: 1.0 SONE, 130 CFM at 0.10" S.P.

CONTRACTOR		QK-130ES, QK-150ES FAN DETAIL		
ARCHITECT	JOB	DATE	SUPERSEDES	DRAWING NO.
ENGINEER	DATE SUBMITTED	REVERSOMATIC Manufacturing Ltd Toronto, Ontario		