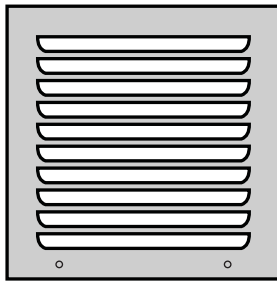
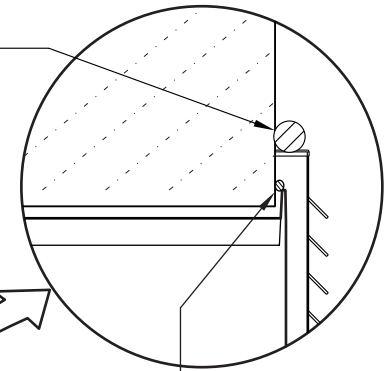


FRONT VIEW



CAULKING GRILLE
- 3 SIDES ONLY, NOT ON BOTTOM



WALLBOX

CAULKING WALLBOX
- CAULK WALLBOX TO STRUCTURE ON 4 SIDES

BAFFLE

SLOPE

GRILLE

INSULATION
Minimum 5 Feet
(1" Thick)

NEOPRENE BACKDRAFT DAMPER

Rigid Duct Only

***FOLLOW YOUR LOCAL BUILDING CODE**



REVERSOMATIC
MANUFACTURING LIMITED

790 Rowntree Dairy Road, Woodbridge, ON Canada L4L 5V3
Tel: 905-851-6701 • Fax: 905-851-8376
www.reversomatic.com • info@reversomatic.com

TITLE: TYPICAL WALL BOX INSTALLATION

REVISION

DATE

DRAWN BY: J.TANTAY

APPROVED BY: B. SHAH

DATE:

SCALE: NTS

DRAWING NO: