

TURBO-TEK

MULTI PURPOSE INLINE EXHAUST FANS

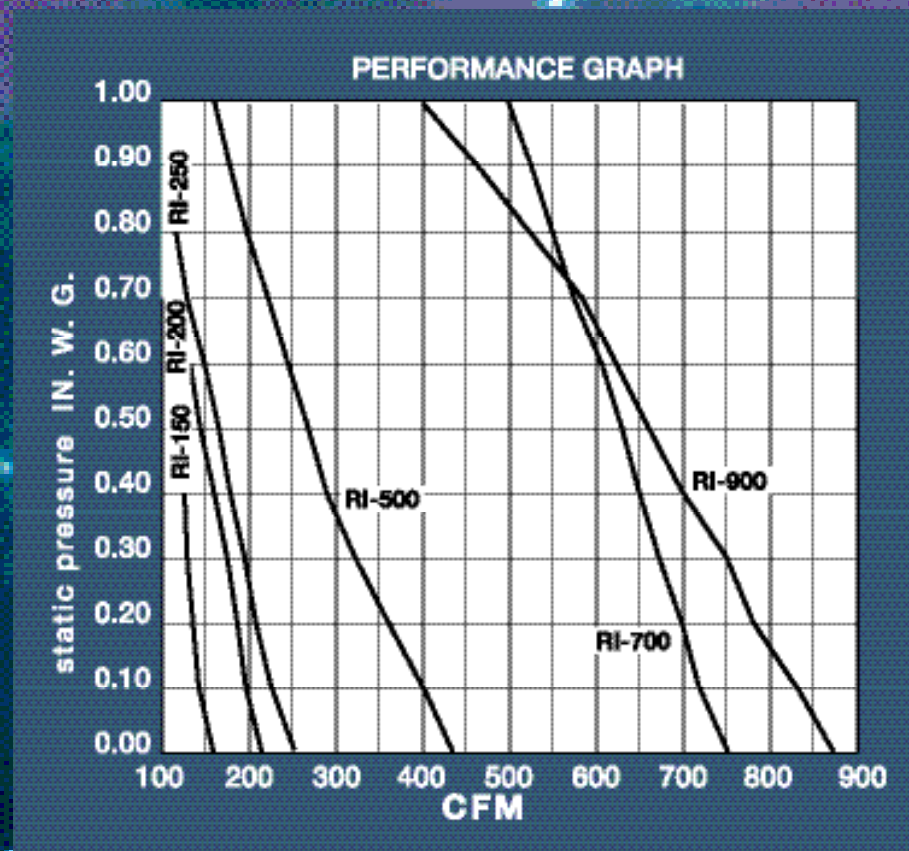
POWERFUL • QUIET • EFFICIENT • RELIABLE

The TURBO-TEK inline fan represents our most versatile fan series in this catalogue. Its multipurpose capability provides air moving solutions to almost any ventilation condition. Its versatility allows itself to be used in any residential, commercial or even industrial applications.

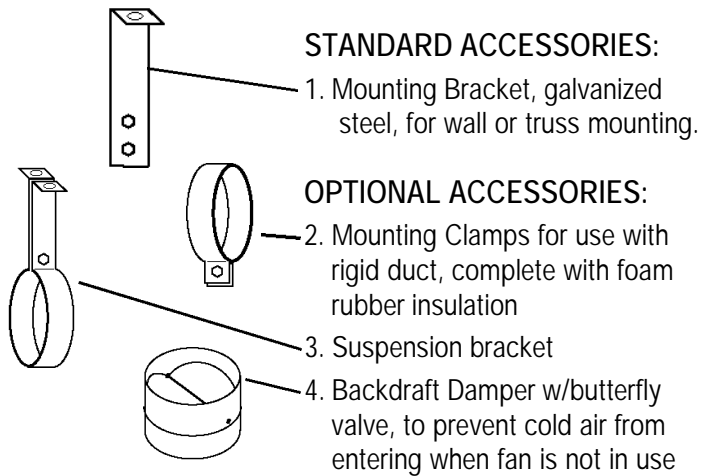
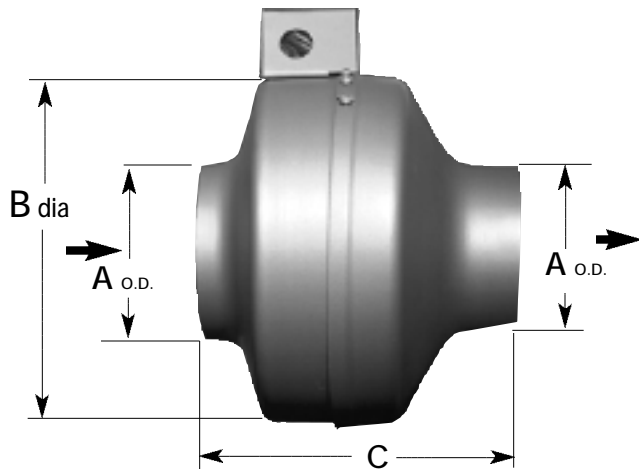


- QUIET OPERATION
- 100% SPEED CONTROLLABLE
- 4-12" DUCT DIAMETER
- EXTERNAL WIRING BOX
FAST CONNECTIONS
- TOTALLY ENCLOSED MOTOR
- CAPACITOR (PSC MOTOR)
FOR HIGH EFFICIENCY
- HIGH TEMPERATURE
CAPABILITY UP TO 140° F

- Engineered to provide maximum CFM performance even in severe restrictive duct conditions
- Built with a well balanced air over motor impeller assembly, and a backward inclined wheel for smooth quiet operation.
- Fan housing constructed of heavy gauge satin coat steel with baked enamel finish.
- Suitable for use in Hi-rise condominium, office buildings, schools, boardrooms or where high volume quiet ventilation is required.



TURBO-TEK SPECIFICATION



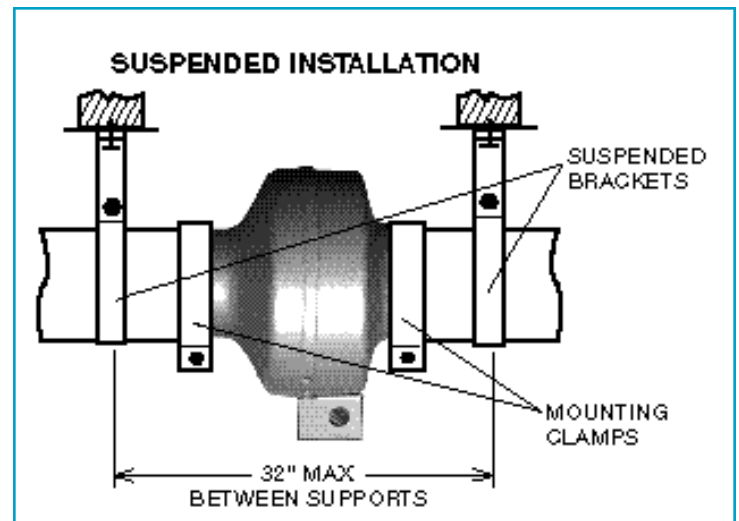
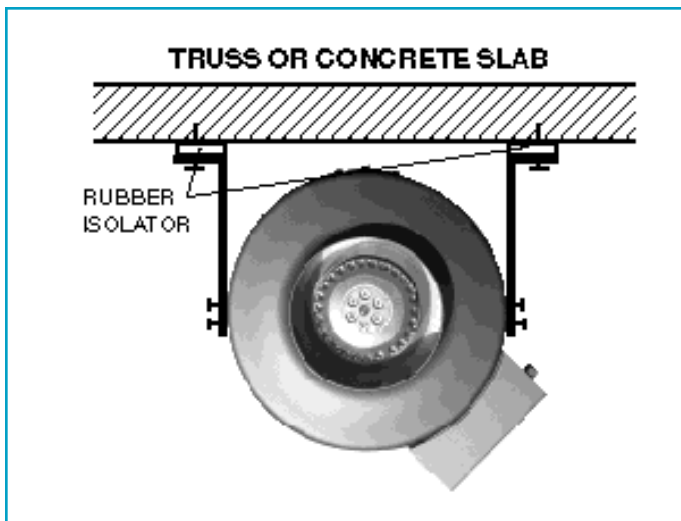
FAN SIZE

Model	RI-150	RI-200	RI-250	RI-500	RI-700	RI-900
A	3-7/8"	4-7/8"	5-7/8"	7-7/8"	9-7/8"	11-7/8"
B	9-1/2"			13"		16"
C	8"			10"		12"

FAN MOTOR

Model	RI-150	RI-200	RI-250	RI-500	RI-700	RI-900
Watts	85		100	400	240	
RPM	2500		2550	3100	1570	
Capacitor	8 mf		10 mf	20 mf	20 mf	

TYPICAL INSTALLATION



PERFORMANCE CHART

MODEL	CUBIC FEET PER MINUTE (CFM) AT STATIC PRESSURE											Sound Level SONES
	0.00	0.10	0.20	0.30	0.40	0.50	0.60	0.70	0.80	0.90	1.00	
RI-150	156	148	140	132	125	-	-	-	-	-	-	2.2
R1-200	214	198	186	173	159	146	133	-	-	-	-	2.5
R1-250	252	227	208	194	180	165	150	133	120	-	-	2.7
RI-500	434	402	362	322	292	270	245	222	200	180	160	3.8
RI-700	752	719	698	675	650	629	605	577	550	525	500	5.1
RI-900	875	830	786	750	700	659	620	580	521	460	400	4.5