

LEAK-PROOF WALL BOXES

Models WBL- 8, WBL-12
Available SINGLE, DOUBLE and TRIPLE

REPLACES WALL CAPS AND BRICK VENTS

SLOPED FROM TOP TO BOTTOM CREATING A GRAVITY EFFECT ON THE NEOPRENE DAMPER

SLOPED FROM BACK TO FRONT, ALLOWS INSTANT DRAINAGE WHEN SEVERE WINDY RAINFALL OCCURS

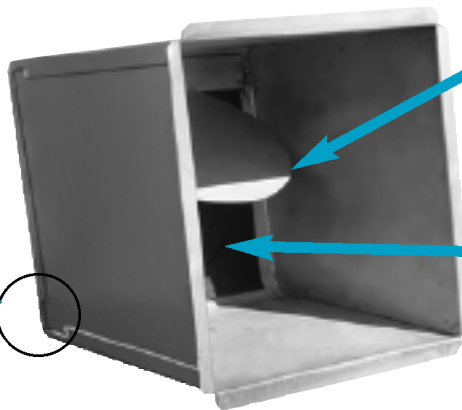


HOUSING IS MADE OF HEAVY GAUGE SATIN COAT GALVANIZED METAL WHICH DOES NOT SUPPORT CORROSION

EXTRUDED ALUMINUM WEATHER PROOF LOUVRE. MILL FINISH

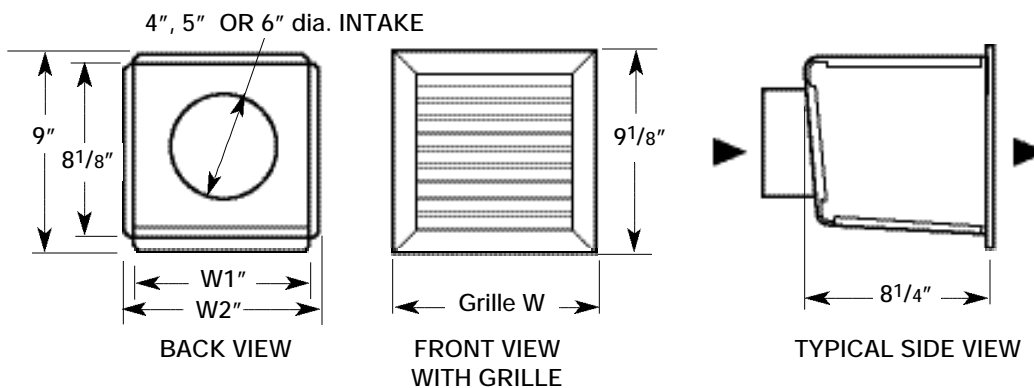


LEAK PROOF SEAMLESS FLANGED WRAP CONSTRUCTION



DAMPER SUPPORT PLATE HOLDS DAMPER IN PLACE AVOIDING UNNECESSARY FLAPPING

WATER RESISTANT NEOPRENE DAMPER ELIMINATES NOISY CLATTER

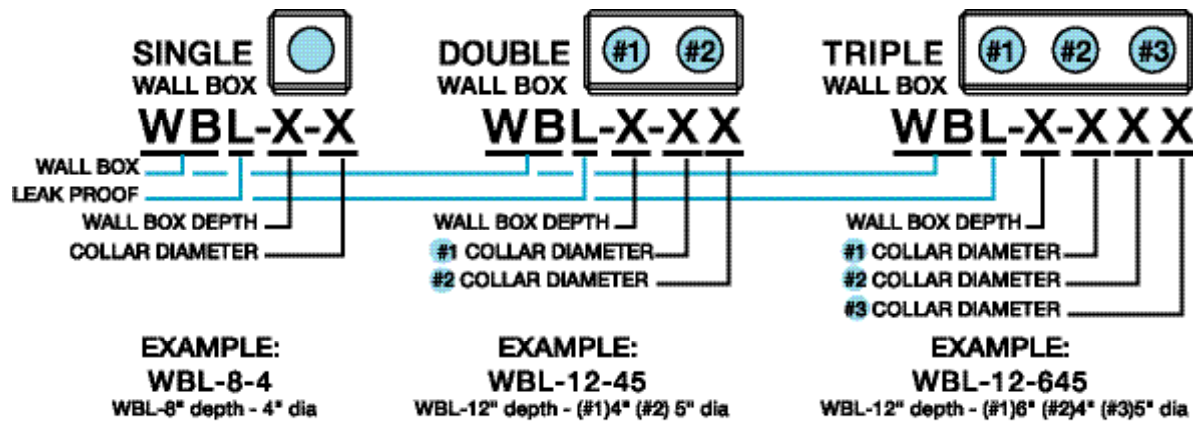


Type	Box W1	Flange W2	Grille W
SINGLE WALL BOX	8 -1/8"	9"	9-1/4"
DOUBLE WALL BOX	16 -1/4"	17-1/8"	17-3/8"
TRIPLE WALL BOX	24-3/8"	25-1/4"	25-1/2"

OPTIONAL

- PAINTED LOUVRE
- LOUVRE LESS FLANGE
- CUSTOM SIZES

ORDERING GUIDE FOR LEAK-PROOF WALL BOX (WBL)



IMPORTANT NOTE: Always count the number of collars from left to right, as you are looking into the louvre side

Fan accessories (cross reference)

FAN MODEL	VARIATION SPEED CONTROL	TIME DELAY SWITCH	HEAVY DUTY WALL CAP	ALM DRY VENT	WALL BOX	ROOF JACK	IN-LINE BACK DRAFT DAMPER	IN-LINE ADAPTER KIT	VIBRATION ISOLATORS KIT
EB50	SC25	T1517	N/A	ADV3	WB30	RJ40	RD4	N/A	N/A
EB60	SC25	T1517	N/A	ADV3	WB30	RJ40	RD4	N/A	N/A
EB70	SC25	T1517	N/A	ADV3	WB30	RJ40	RD4	N/A	N/A
EB80	SC25	T1517	DVS4	ADV4	WB40	RJ40	RD4	N/A	N/A
EB100	SC25	T1517	DVS4	ADV4	WB40	RJ40	RD4	N/A	N/A
QB80	SC25	T1517	DVS4	ADV4	WB40	RJ40	RD4	1A40	VIK22
QB100	SC25	T1517	DVS4	ADV4	WB40	RJ40	RD4	1A40	VIK22
QB120	SC25	T1517	DVS4	ADV4	WB40	RJ40	RD4	1A40	VIK22
QB130	SC25	T1517	DVS5	ADV5	WB50	RJ60	RD5	N/A	VIK22
QB150	SC25	T1517	DVS5	ADV5	WB50	RJ60	RD5	1A50	VIK22
QB200	SC25	T1517	DVS5	ADV5	WB50	RJ60	RD5	1A50	VIK22
CF225	SC25	T1517	DVS5	ADV5	WB50	RJ60	RD5	1A2255	VIK22
CF375	SC25	T1517	DVS6	ADV6	WB60	RJ60	RD6	1A3756	VIK22
CF425	SC25	T1517	DVS7	ADV7	WB70	RJ1010	RD7	1A4257	VIK22
CFS150	SC25	T1517	DVS5	ADV5	WB50	RJ60	RD5	N/A	VIK22
CFS250	SC25	T1517	DVS5	ADV5	WB50	RJ60	RD5	N/A	VIK22
CFS350	SC50	T1517	DVS6	ADV6	WB60	RJ60	RD6	N/A	VIK22
QCF95	SC25	T1517	DVS5	ADV5	WB50	RJ1010	RD5	N/A	VIK22
QCF110	SC25	T1517	DVS5	ADV5	WB50	RJ60	RD6	N/A	VIK22
QCF125	SC25	T1517	DVS5	ADV5	WB50	RJ1010	RD5	N/A	VIK22
QCF170	SC25	T1517	DVS5	ADV5	WB50	RJ60	RD5	N/A	VIK22
QCF200	SC25	T1517	DVS6	ADV6	WB124	RJ1010	RD6	1A1810	VIK22
QCF300	SC25	T1517	DVS7	ADV7	WB124	RJ1010	RD7	1A1810	VIK22
QCF400	SC50	T1517	DVS7	ADV7	WB124	RJ1010	RD7	1A1912	VIK22
QCF500	SC50	T1517	DVS8	ADV8	WB185	RJ1010	RD8	1A2414	VIK22
QCF600	SC50	T1517	DVS8	ADV8	WB185	RJ1010	RD8	1A2414	VIK22
QCF800	SC150	T1517	DVS8	ADV8	WB185	RJ1010	RD8	1A2414	VIK22
QCF1000	SC50	T1517	DVS9	N/A	WB246	RJ1010	RD9	1A3214	N/A
QCF1300	SC50	T1517	DVS10	N/A	WB286	RJ1010	RD10	1A3814	N/A
QCF1600	SC50	T1517	DVS12	N/A	WB286	N/A	N/A	1A3814	N/A