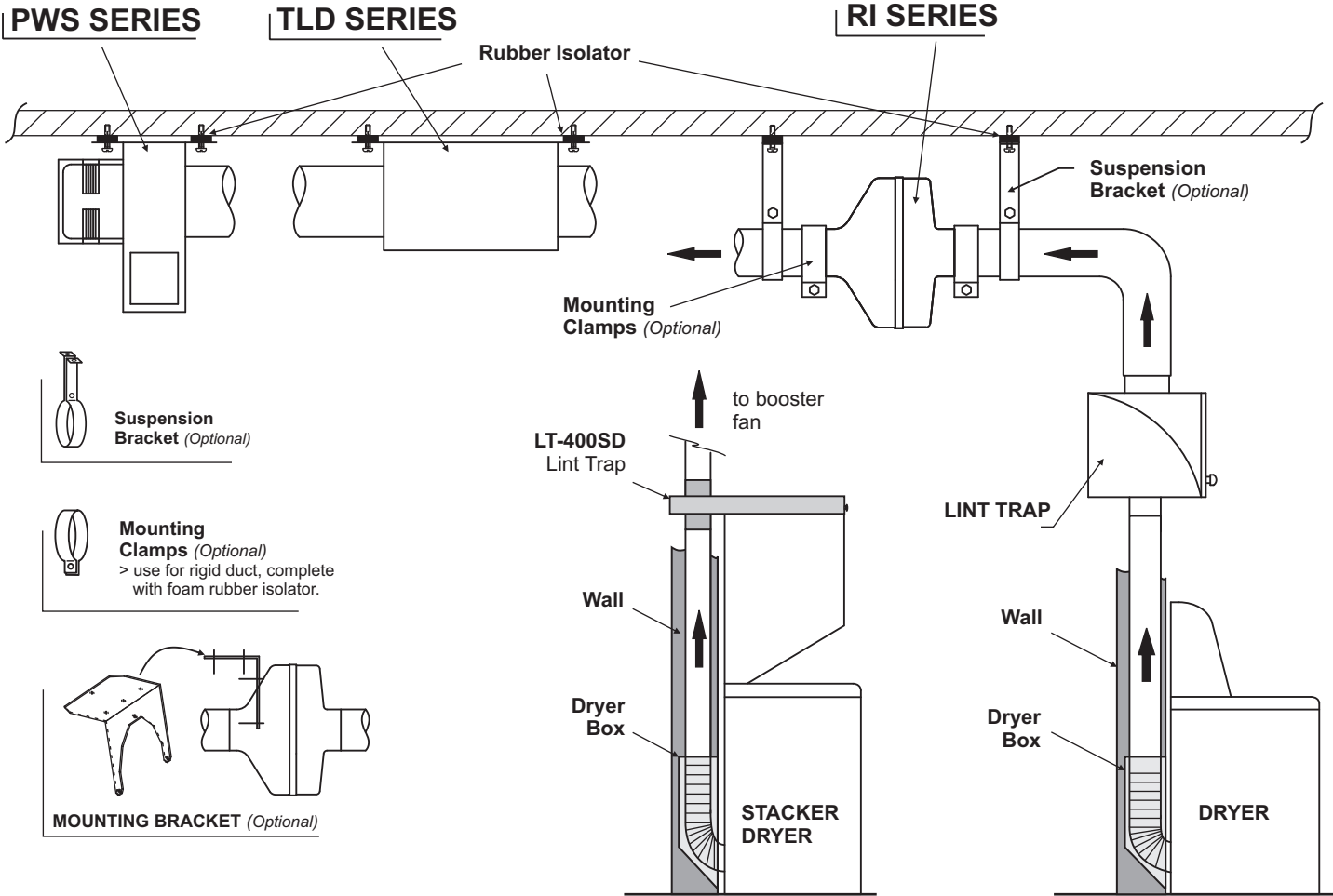


DRYER BOOSTER FANS

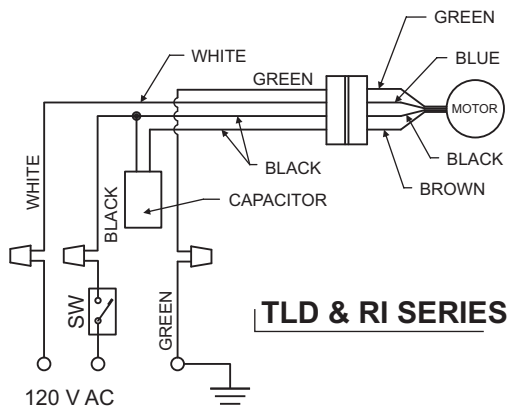
INSTALLATION INSTRUCTIONS

READ AND SAVE THESE INSTRUCTIONS

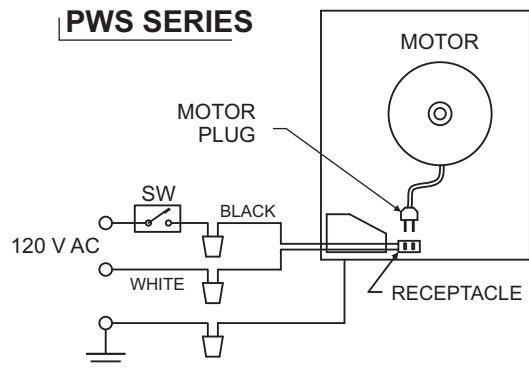
CAUTION: TO AVOID THE RISK OF FIRE, ELECTRIC SHOCK OR INJURY, TURN POWER OFF AT SERVICE PANEL BEFORE INSTALLATION OR CLEANING OR SERVICING THIS UNIT.



TYPICAL WIRING DIAGRAM



PWS SERIES

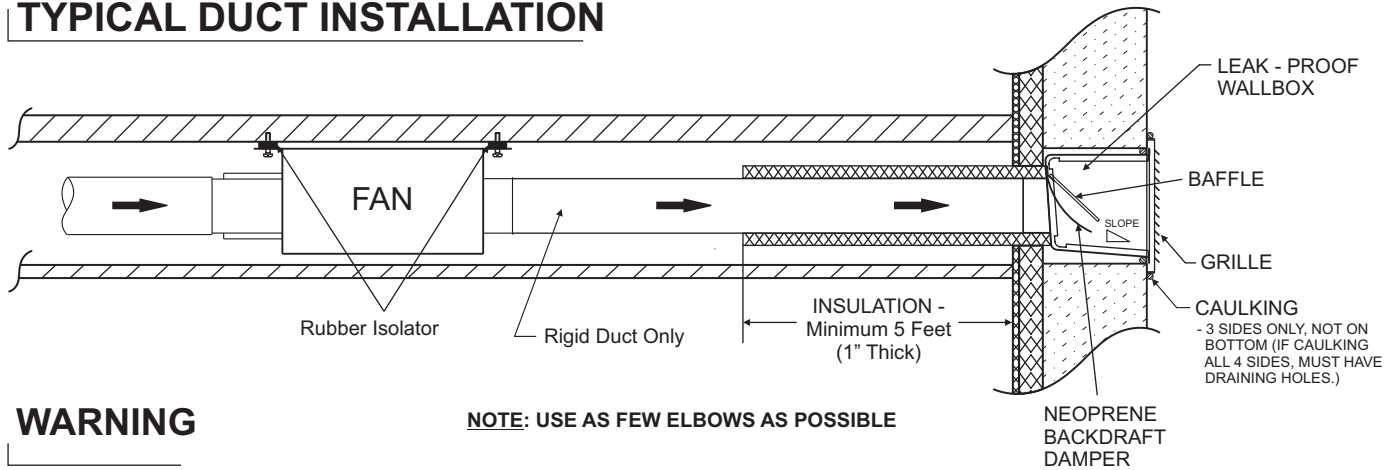


REVERSOMATIC
MANUFACTURING LIMITED

790 Rowntree Dairy Road, Woodbridge ON, Canada L4L 5V3
Tel: 905-851-6701 • Fax: 905-851-8376 • info@reversomatic.com

www.reversomatic.com

TYPICAL DUCT INSTALLATION



WARNING

NOTE: USE AS FEW ELBOWS AS POSSIBLE

TO REDUCE THE RISK OF FIRE, ELECTRIC SHOCK OR INJURY, PLEASE OBSERVE THE FOLLOWING:

1. Do not use in cooking area.
2. Mount at least 8 feet above floor or grade level.
3. Installation of these units and the corresponding electrical wiring must be done by a qualified person and be in accordance with all municipal and national codes and standards, including those related to fire rated construction.
4. Use this units only for intended applications and in the manner indicated by the manufacturer. If you have any questions please contact the manufacturer at the address or telephone number listed below.
5. Before wiring, servicing or cleaning the units, switch power off at the service panel and lock it. If service panel is unlocked others could turn the power on unexpectedly and cause fatal electric shock to the installer or service person.
6. When cutting or drilling into wall or ceiling, make sure that you do not damage electrical wiring and other hidden utilities.
7. To reduce the risk of fire and properly exhaust air, be sure to duct air out side. Do not vent exhaust air into spaces within walls or ceilings or into attics, crawl spaces or garages.
8. It is recommended that a Lint Trap be installed and it is easily accessible to the user. Then the location of the Booster Fan can be 15' to 20' (10 linear feet) from the dryer.
9. It is also recommended that the lint trap must be checked prior to dryer operation and the Booster Fan impeller must be checked at least twice annually for lint accumulation.
10. All Fans should have backdraft damper at outlet. Fans with pressure sensing device must have wall-box equipped with backdraft damper as per drawing.

CAUTION: 1. These units are not to be used to exhaust hazardous or explosive gases.
 2. To avoid damage to motor and impeller, keep construction materials such as dry wall spray, construction dust, construction debris, etc. off power units and ducts leading to units.

TABLE OF EQUIVALENT DUCT LENGTH

Minimum 120 cfm at:	Maximum Equivalent Duct Length	Maximum Duct Length + Number of Elbows				
		45' + 1	40' + 2	35' + 3	30' + 4	25' + 5
0.2" w.g.	50 Feet	45' + 1	40' + 2	35' + 3	30' + 4	25' + 5
0.4" w.g.	75 Feet	70' + 1	65' + 2	60' + 3	55' + 4	50' + 5
0.6" w.g.	100 Feet	95' + 1	90' + 2	85' + 3	80' + 4	75' + 5
0.8" w.g.	125 Feet	120' + 1	115' + 2	110' + 3	105' + 4	100' + 5



REVERSOMATIC
 MANUFACTURING LIMITED

790 Rowntree Dairy Road, Woodbridge ON, Canada L4L 5V3
 Tel: 905-851-6701 • Fax: 905-851-8376 • info@reversomatic.com

www.reversomatic.com