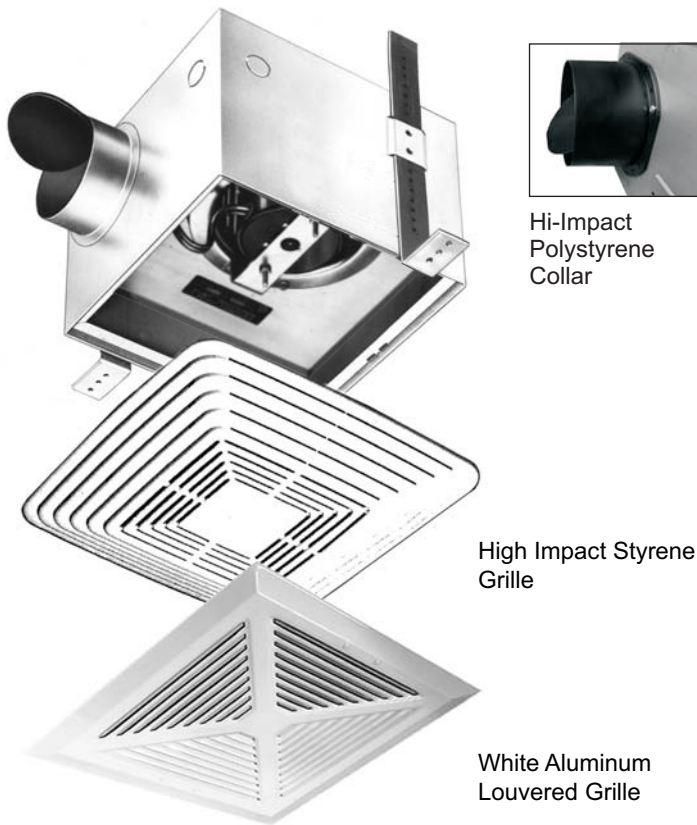




ULTRA QUIET BATHROOM EXHAUST FAN

The QCF-80ES (S) fan is specially designed with exceptionally low noise levels for bathrooms in apartments. It is available with mounting brackets for easy installation. The QCF-80ES (S) is constructed of corrosion resistant heavy gauge satin coat steel - Slim housing for low ceiling.

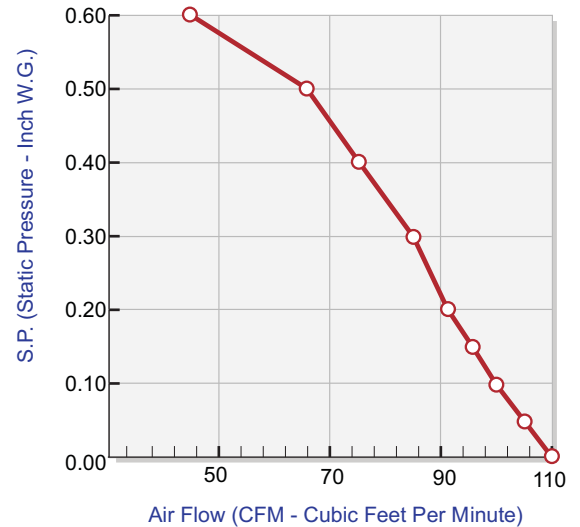


Hi-Impact
Polystyrene
Collar

High Impact Styrene
Grille

White Aluminum
Louvered Grille

QCF-80ES (S) FAN DATA



ACCESSORIES

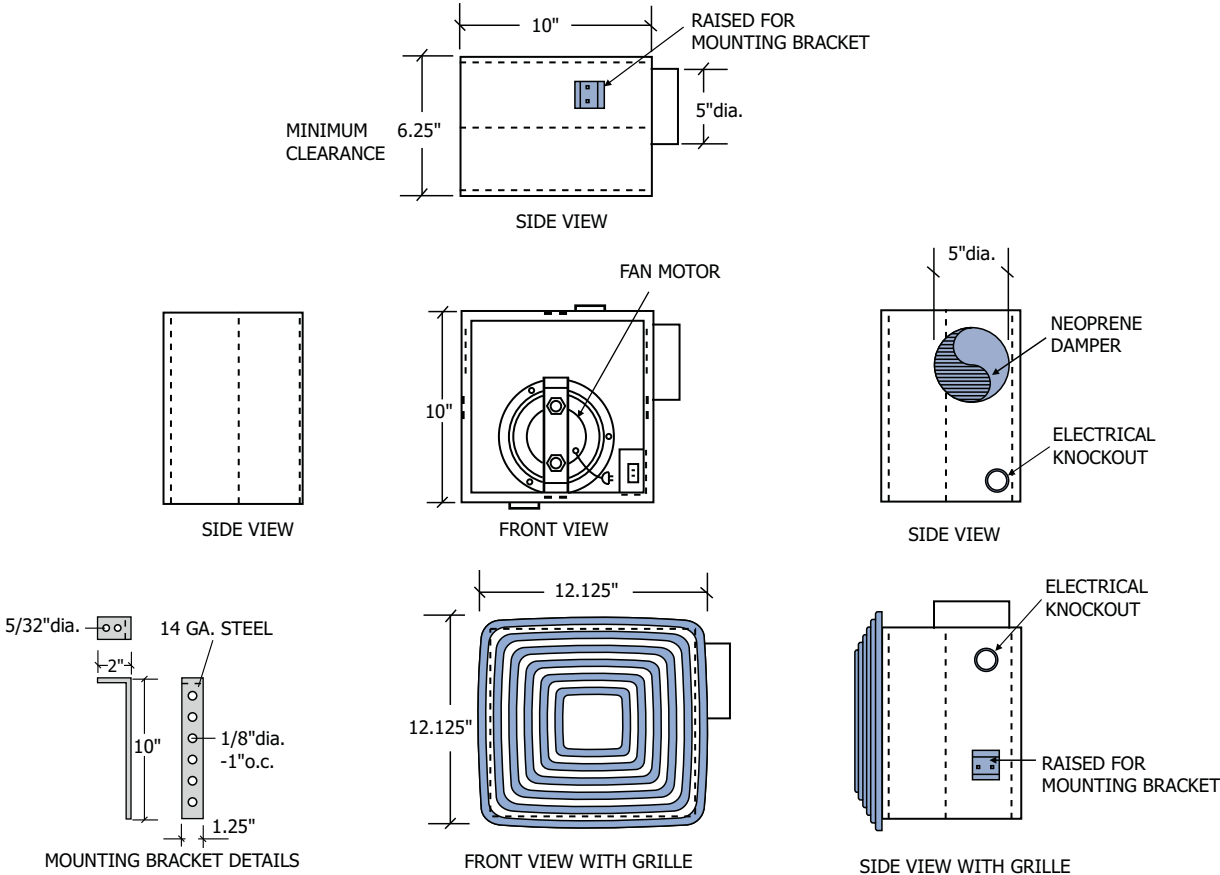
Standard:

- Mounting brackets
- Metal collar with neoprene damper
- High impact styrene grille

Optional:

- Variable speed control
- Aluminum backdraft damper
- Hi-Impact Polystyrene Collar
- White aluminum louvered grille





HVI CERTIFIED RATINGS

MODEL	SONES	CFM @ 0.10" S.P.
QCF-80ES (S)	0.9	100

FAN DATA

MODEL	MOTOR 120 VAC 60 Hz			CUBIC FEET PER MINUTE									
	RPM	AMPS	WATTS	S.P.	0.00	0.05	0.10	0.15	0.20	0.30	0.40	0.50	0.60
QCF-80ES (S)	850	0.20	27	CFM	110	105	100	97	92	85	75	66	45

RPM (Revolution Per Minute) shown is nominal and performance is based on actual speed of test. Unit was tested with inlet grille, backdraft damper and outlet duct.

Contractor:		QCF-80ES (S)		
Architect:	Job:	Date	Supersedes	Drawing No.
Engineer:	Date Submitted:			