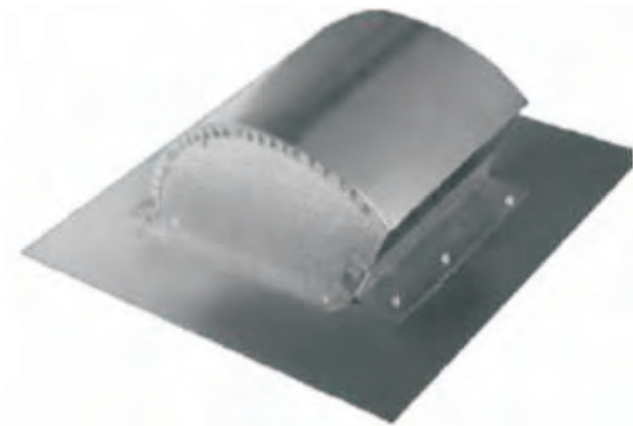


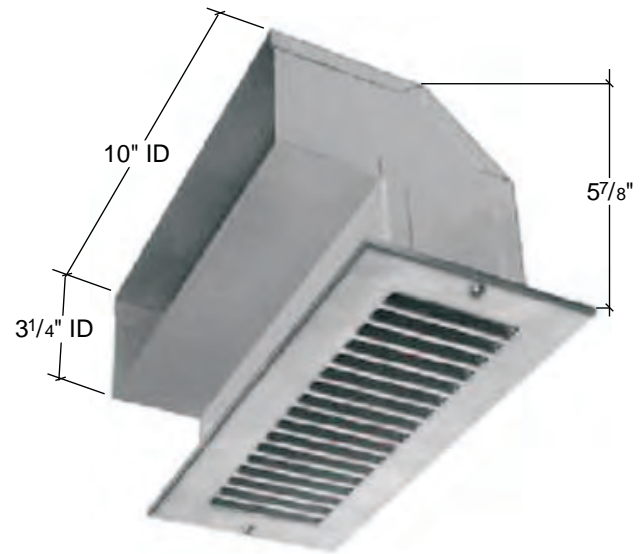
**HEAVY DUTY WALL CAP: WC-310 (3" x 10")**

- 24 Ga. satin coat black finish steel
- Equipped with balance aluminum back draft damper



**ALUMINUM ROOF JACK: RJ**

- Ø 4" - RJ-40, base 12" x 12"
- Ø 6" - RJ-60, base 13 3/4" x 13 3/4"
- Ø 8" - RJ-80, base 15" x 15"
- Ø 10" - RJ-100, base 18" x 18"
- Ø 12" - RJ-120, base 23 1/2" x 23 1/2"
- 10" x 10" - RJ-1010, base 18" x 18"
- 0.025" Aluminum
- Equipped with aluminum damper



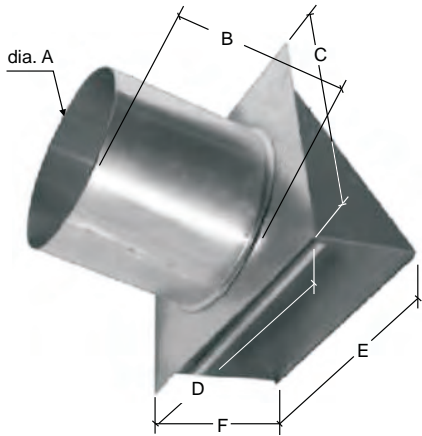
**EAVES CAP: EC-310 (3" x 10")**

- 24 Ga. satin coat black finish steel
- Equipped with balance aluminum back draft damper and aluminum grille



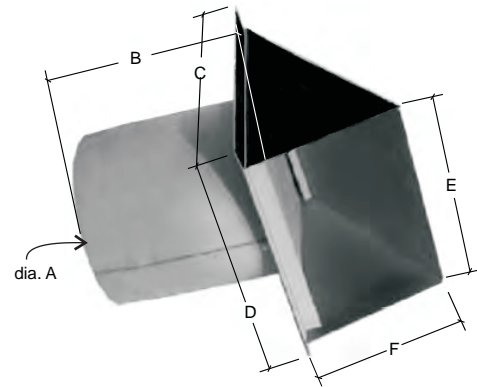
**ALUMINUM ROOF LOUVERS: RL**

- Ø 8" - RL80, base 14" x 18"
- Ø 10" - RL100, base 16" x 20"
- 0.025" Aluminum
- Equipped with fly screen



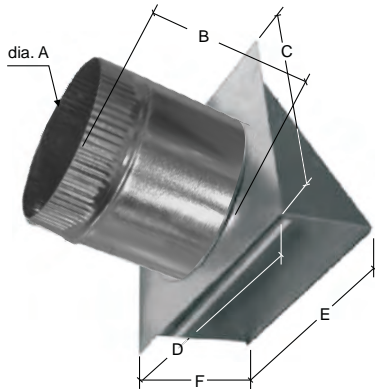
### HEAVY DUTY EXHAUST VENT CAP ALUMINUM: ECA

- Sizes 4", 5", 6", 7", 8", 9", 10", 12" dia.  
 - 0.025" Aluminum  
 - Equipped with spring loaded aluminum damper  
 - Bird Screen and special sizes are available upon request



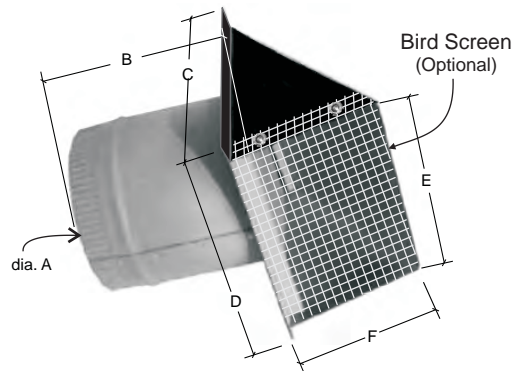
### HEAVY DUTY EXHAUST VENT CAP STEEL: ECS

- Sizes 4", 5", 6", 7", 8", 9", 10", 12" dia.  
 - 24 Ga. satin coat black finish steel  
 - Equipped with spring loaded aluminum damper  
 - Bird Screen and special sizes are available upon request



### HEAVY DUTY FRESH AIR INTAKE CAP ALUMINUM: FCA

- Sizes 4", 5", 6", 7", 8", 9", 10", 12" dia.  
 - 0.025" Aluminum  
 - Equipped with removable fly screen  
 - Bird Screen and special sizes are available upon request



### HEAVY DUTY FRESH AIR INTAKE CAP STEEL: FCS

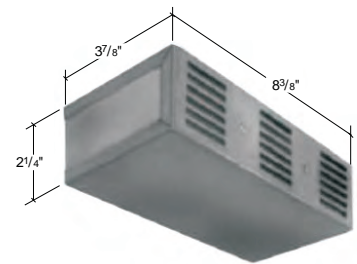
- Sizes 4", 5", 6", 7", 8", 9", 10", 12" dia.  
 - 24 Ga. satin coat black finish steel  
 - Equipped with removable fly screen  
 - Bird Screen and special sizes are available upon request

### STANDARD DIMENSIONS:

Exhaust Vent and Fresh Air Intake Cap

A	4	5	6	7	8	9	10	12
B	5 1/2	5 1/2	5 1/2	5 1/2	5 1/2	5 1/2	5 1/2	5 1/2
C	7	8	8 3/4	9 3/4	11 1/4	12	13	15 1/4
D	6 7/8	7 5/8	8 3/4	9 3/4	10 3/4	12	13	14 7/8
E	6 1/8	6 3/8	7 1/2	8 1/2	9 1/2	10 3/8	11 1/2	13 1/2
F	4	4	4 5/8	5	5	5	5 3/4	6 3/4

\* All dimensions shown are in inches.



### BRICK VENT: BV-23

- 24 Ga satin coat steel  
 - Equipped with fly screen

Contractor:		ACCESSORIES		
Architect:	Job:	Date	Supersedes	Drawing No.
Engineer:	Date Submitted:			

Reversomatic Manufacturing Ltd.

790 Rowntree Dairy Road, Woodbridge, ON Canada L4L 5V3 • Tel: 905-851-6701 • Fax: 905-851-8376  
 www.reversomatic.com • info@reversomatic.com