



## ULTRA QUIET EXHAUST FAN

The CF-170-2 fan is designed for high performance and quiet operation. This fan is equipped with specially designed mounting slots that allow for easy installation on concrete ceilings or wooden joists. It is constructed with corrosion resistant, heavy gauge satin coat steel. The fan is suitable for installation over bath tub or shower stall with GFCI protected branch circuit. It also meets Washington State Ventilation and Indoor Air Quality code.

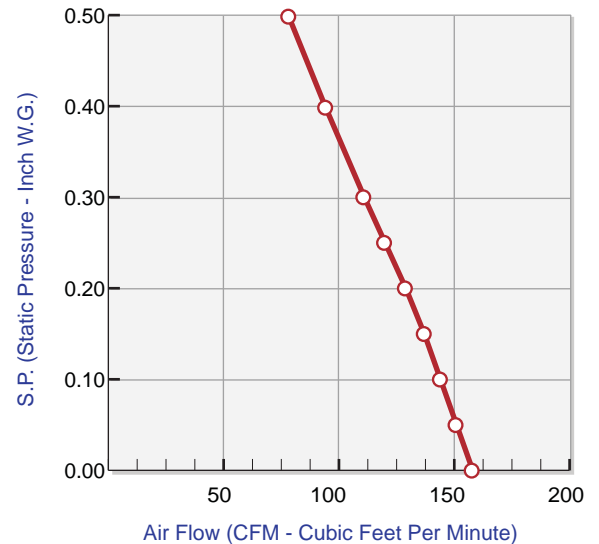


Hi-impact  
Polystyrene  
collar

White High Impact  
Styrene Grille

Off White  
Aluminum Grille

## CF-170 FAN DATA



## ACCESSORIES

### *Standard:*

- Insulated housing
- Metal collar with neoprene damper
- Mounting brackets
- Aluminum or styrene grille

### *Optional:*

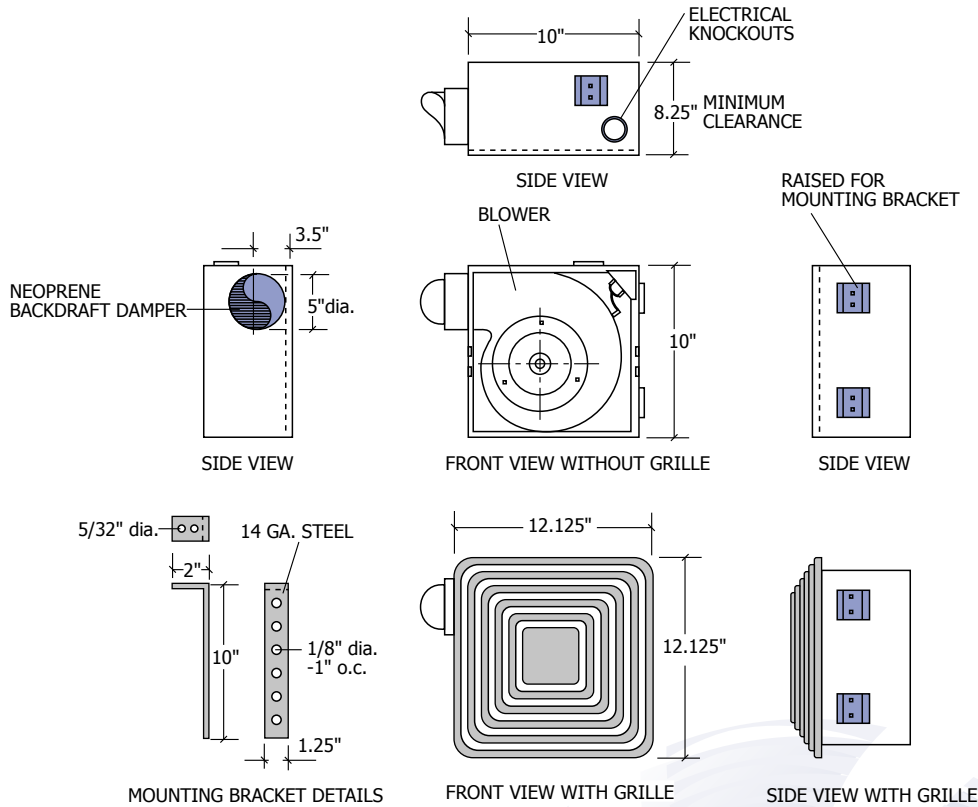
- Aluminum backdraft damper
- Hi-impact Polystyrene collar
- Variable speed control



**Reversomatic Manufacturing Ltd.**

790 Rowntree Dairy Road, Woodbridge, ON Canada L4L 5V3 • Tel: 905-851-6701 • Fax: 905-851-8376  
www.reversomatic.com • info@www.reversomatic.com

# CF-170 (QCF-170 US model)



## HVI CERTIFIED RATINGS

MODEL	SONES	CFM @ 0.10" S.P.
CF-170	2.5	140

## FAN DATA

MODEL	MOTOR 120 VAC 60 Hz			CUBIC FEET PER MINUTE									
	RPM	AMPS	HP	S.P.	0.00	0.05	0.10	0.15	0.20	0.25	0.30	0.40	0.50
CF-170	1400	0.7	1/75	CFM	158	151	144	137	129	120	111	94	78

RPM (Revolution Per Minute) shown is nominal and performance is based on actual speed of test. Unit was tested with inlet grille, backdraft damper and outlet duct.

## SOUND RATING

OCTAVE BAND	1	2	3	4	5	6	7	8
CENTER FREQUENCY Hz	63	125	250	500	1000	2000	4000	8000
FULL-OCTAVE BAND SOUND PRESSURE LEVEL (dB)	53	59	49	49	45	42	34	24

Contractor:	CF-170 (QCF-170 US model)		
Architect:	Job:	Data	Supersedes
Engineer:	Date Submitted:		Drawing NO.

### Reversomatic Manufacturing Ltd.

790 Rowntree Dairy Road, Woodbridge, ON Canada L4L 5V3 • Tel: 905-851-6701 • Fax: 905-851-8376  
 www.reversomatic.com • info@reversomatic.com