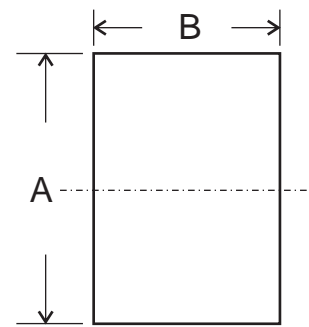
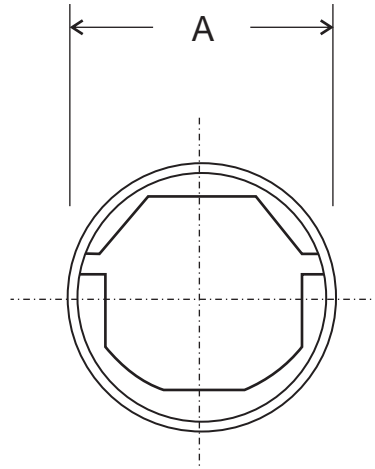
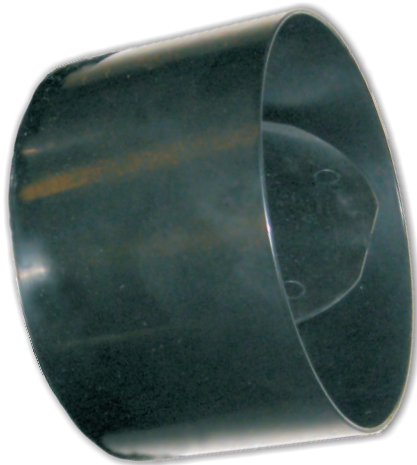




INLINE PLASTIC BACKDRAFT DAMPER



Inline Plastic Backdraft Damper

MODEL	A	B	PART NO.	PRICE
IPBD3	3" dia.	2.5"	014046	\$ 3.75
IPBD4	4" dia.	2.5"	014047	4.10
IPBD5	5" dia.	3.0"	014048	4.60
IPBD6	6" dia.	3.0"	014049	5.40

Contractor:		Inline Plastic Backdraft Damper		
Architect:	Job:	Date	Supersedes	Drawing No.
Engineer:	Date Submitted:			

Reversomatic Manufacturing Ltd.

790 Rowntree Dairy Road, Woodbridge, ON, Canada L4L 5V3 • Tel: 905-851-6701 • Fax: 905-851-8376
www.reversomatic.com • info@reversomatic.com