

INSTALLATION INSTRUCTIONS

STEP #1 REMOVE ONE SPRING FROM THE GRILLE WITH A SCREW DRIVER AS SHOWN - FIG. I

STEP #2 LIFT THE STEEL PANEL AND INSTALL A 26W - 4 PIN, FLUORESCENT BULB AND A 4W-120VAC INCANDESCENT BULB (IF GRILLE HAS A NIGHT LIGHT PROVISION) - FIG. II

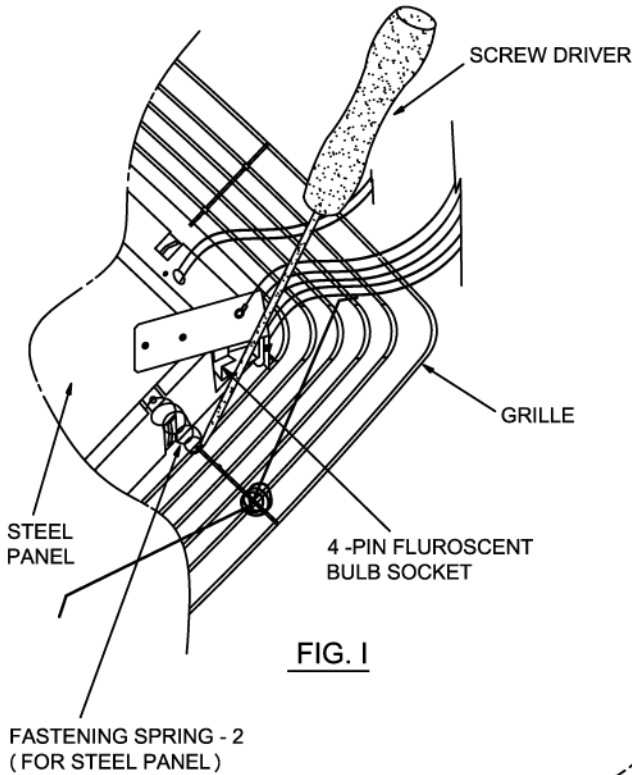


FIG. I

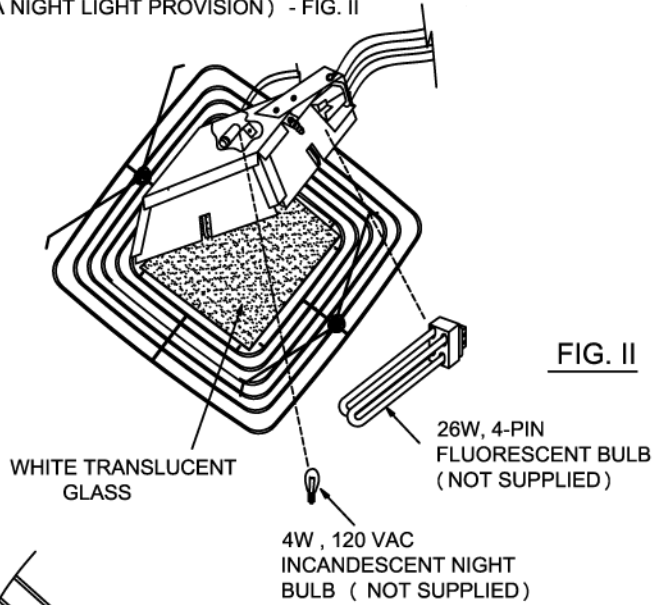


FIG. II

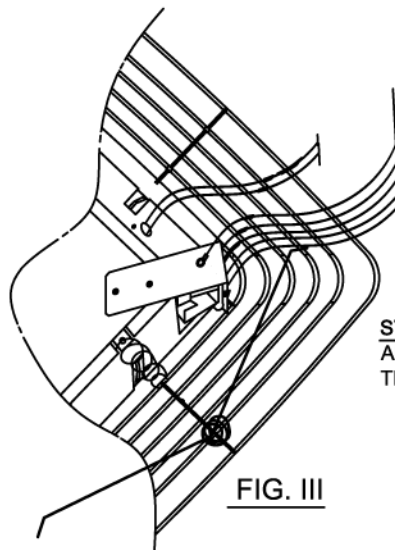


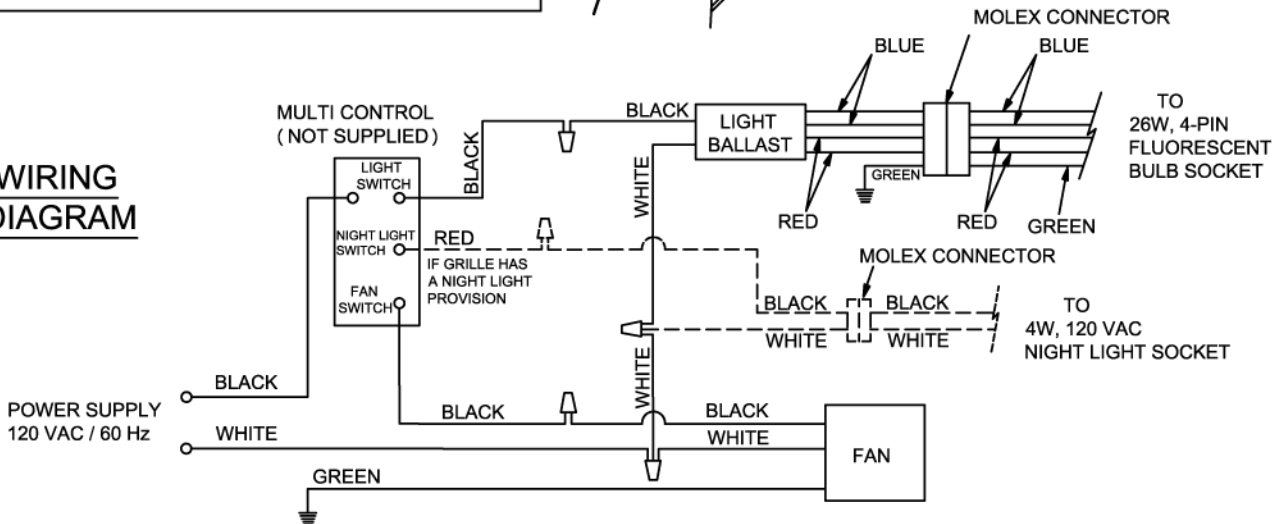
FIG. III

STEP #3 REINSTALL THE STEEL PANEL AND MOUNT THE FASTENING SPRING IN THE SAME POSITION - FIG III.

IMPORTANT :

- Installation of the fan / light grille and the corresponding electrical wiring must be done by a qualified person and be in accordance with all municipal and national electrical Codes and pertinent industry standards should be verified before installation.
- Moving Parts, Disconnect Power supply before opening.
- The fan / light grille must be grounded.

WIRING DIAGRAM



REVERSOMATIC
MANUFACTURING LIMITED

790 ROWNTREE DAIRY ROAD, WOODBRIDGE, ON L4L 5V3, CANADA.
PHONE: (905)851-6701 , FAX: (905)851-8376 E-mail: info@reversomatic.com
www.reversomatic.com