

FLAT FLUORESCENT LIGHT-FAN "FFL SERIES"

with or without Fire Fighter Ceiling Damper



*INTRODUCING OUR
NEW FAN-LIGHT
COMBINATION WITH BUILT
IN OR WITHOUT FIRE
FIGHTER CEILING DAMPER*



FAN-LIGHT COMBINATION
WITH BUILT IN FIRE FIGHTER
CEILING DAMPER RATED
FOR UL 555C CEILING
ASSEMBLIES UP TO 3 HOURS



FAN-LIGHT COMBINATION
WITHOUT FIRE FIGHTER
CEILING DAMPER

FEATURES

ATTRACTIVE STYLING

HEAVY GAUGE NON CORROSIVE
SATIN COAT CONSTRUCTION HOUSING

SIMPLIFIED MOUNTING SYSTEM

LOW HEAT GENERATION EXTENDS
LIFE OF LAMP AND REDUCES
AIRCONDITIONING COST

INSTANT - ON, NO FLICKER

SAVES 75% - 81% ENERGY

BULB - EASY TO REPLACE

March 12, 2009



REVERSOMATIC

MANUFACTURING LIMITED

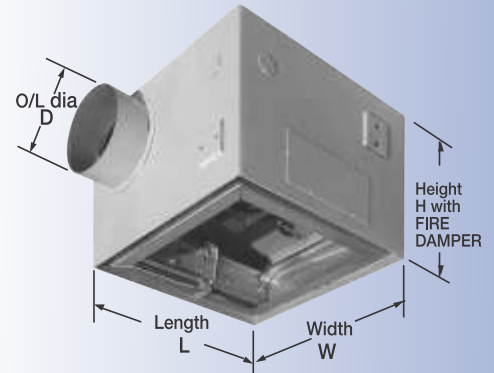
www.reversomatic.com

FLAT FLUORESCENT LIGHT-FAN "FFL SERIES"

Fan Model #	Length L	Width W	Height H without FIRE DAMPER	Height H with FIRE DAMPER	O/L dia. D
EB-45, 50, 55	9"	8"	7.5"	7.5"	3"
B-60, QB-60	9"	8"	7.5"	7.5"	3"
RS-85	9"	8"	7.5"	7.5"	4"
RS-90, 100	9"	8"	7.5"	7.5"	4"
EB -100	9"	8"	7.5"	7.5"	4"
B-100	10"	10"	7.5"	7.5"	4"
QB-100S	10"	10"	7.5"	7.5"	4"
BB-100	10"	10"	7.5"	7.5"	4"
K-100	10"	10"	7.5"	7.5"	4"
QK-100	10"	10"	7.5"	7.5"	5"
BK-100	10"	10"	7.5"	7.5"	5"
QCF-95	10"	10"	7.5"	10.5"	5"
QCF-110	10"	10"	7.75"	10.5"	5"
QCF-125	10"	10"	7.5"	10.5"	5"
CF-130	10"	10"	7.75"	10.5"	5"
CF-170	10"	10"	8.25"	10.5"	5"
QCF-150	12"	12"	8"	10.125"	5"
CFS-150	12"	12"	8"	10.125"	5"
CFS-250	12"	12"	8"	10.5"	5"
CFS-350	12"	12"	9"	11.25"	6"
QCF-125 ES	10"	10"	7.5"	10.5"	5"
CF-170 ES, BC	10"	10"	8.25"	10.5"	5"
QB-80	10"	10"	7.5"	7.5"	4"
QB-80 LT	10"	10"	7.5"	7.5"	4"

ENERGY STAR FANS

QCF-80 ES	10"	10"	7.5"	9.25"	5"
QCF-110 ES	10"	10"	7.75"	10.5"	5"
QCF-130 ES, BC	10"	10"	7.5"	10.5"	5"
QK-130 ES	10"	10"	7.5"	9.25"	5"
QK-150 ES	12"	12"	8"	10.25"	6"
QK-160 ES	12"	12"	9"	11.25"	5"
QK-180 ES	12"	12"	9"	11.25"	6"



FAN WITH BUILT IN FIRE FIGHTER CEILING DAMPER

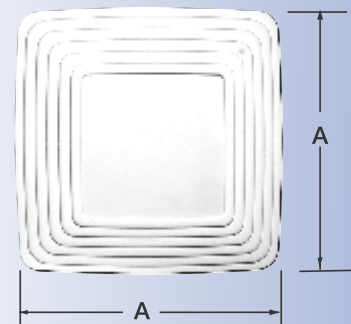
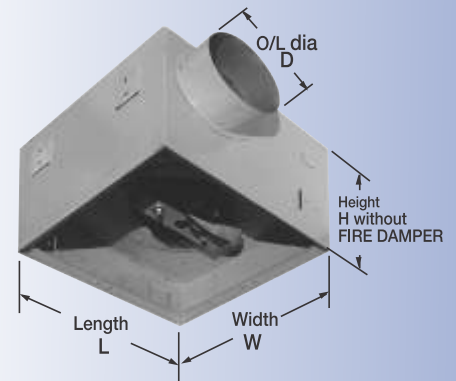
ACCESSORIES

STANDARD

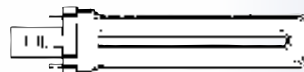
- 26 W FLUORESCENT LIGHT BALLAST
- CONTINUOUS DUTY LIFE TIME LUBRICATED MOTOR WITH THERMAL PROTECTION
- MOUNTING BRACKETS
- PLUG TYPE DISCONNECT
- PLASTIC FLAT FLUORESCENT LIGHT GRILLE

OPTIONAL

- SPEED CONTROLLER
- ALUMINUM BACK DRAFT DAMPER
- NIGHT LIGHT - 3 W
- MOTION SENSOR
- HUMIDITY SENSOR
- PLASTIC BACK DRAFT DAMPER (only for fan without Fire Fighter Damper)



FLUORESCENT PLASTIC LIGHT GRILLE



FLUORESCENT LIGHT BULB
4 pins, 26 W (not supplied)
Bulb lasts up to 10,000 hours
Reduces maintenance cost

NOTE:

BULB CONTAINS MERCURY, DISPOSE IT ACCORDING TO LOCAL, STATE & FEDERAL LAWS AND REGULATIONS

HOISING L x W	GRILLE SIZE A x A
9" x 8"	12 ¹ / ₈ " x 12 ¹ / ₈ "
10" x 10"	12 ¹ / ₈ " x 12 ¹ / ₈ "
12" x 12"	13 ¹ / ₂ " x 13 ¹ / ₂ "



REVERSOMATIC
MANUFACTURING LIMITED

790 ROWNTREE DAIRY ROAD . WOODBRIDGE, ONTARIO, CANADA L4L 5V3
PHONE (905) 851-6701 . FAX (905) 851-8376
www.reversomatic.com • EMAIL: info@reversomatic.com