

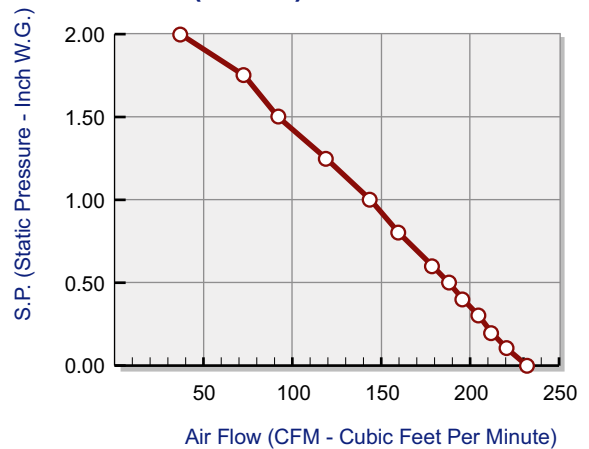


GENERAL PURPOSE INLINE AND DRYER EXHAUST FAN

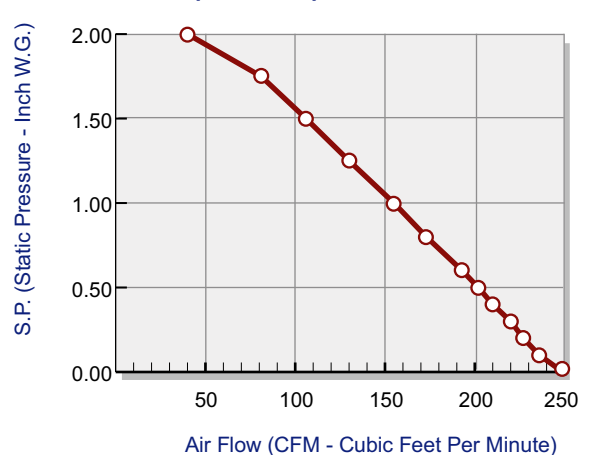
- Self cleaning, non overloading wheel.
- Engineered for quiet continuous operation making it perfect for general purpose ventilation and dryer exhaust application.
- Low profile construction simplifies installation in those tight spaces.
- Built with a well balanced motor impeller assembly, and a backward inclined wheel for smooth quiet operation.
- High efficiency motor.
- Hinged impeller for ease of cleaning and maintenance.
- Available with one, two and three inlets.
- Fan housing constructed of heavy gauge satin coat galvanized steel finish.
- The logical choice for use in high-rise condominium applications.
- Certified by California Energy Commission in accordance with California Law - Title 20.
- Also meets Washington State Ventilation and Indoor Air Quality Code.



TLD-200ES (1 inlet) FAN DATA

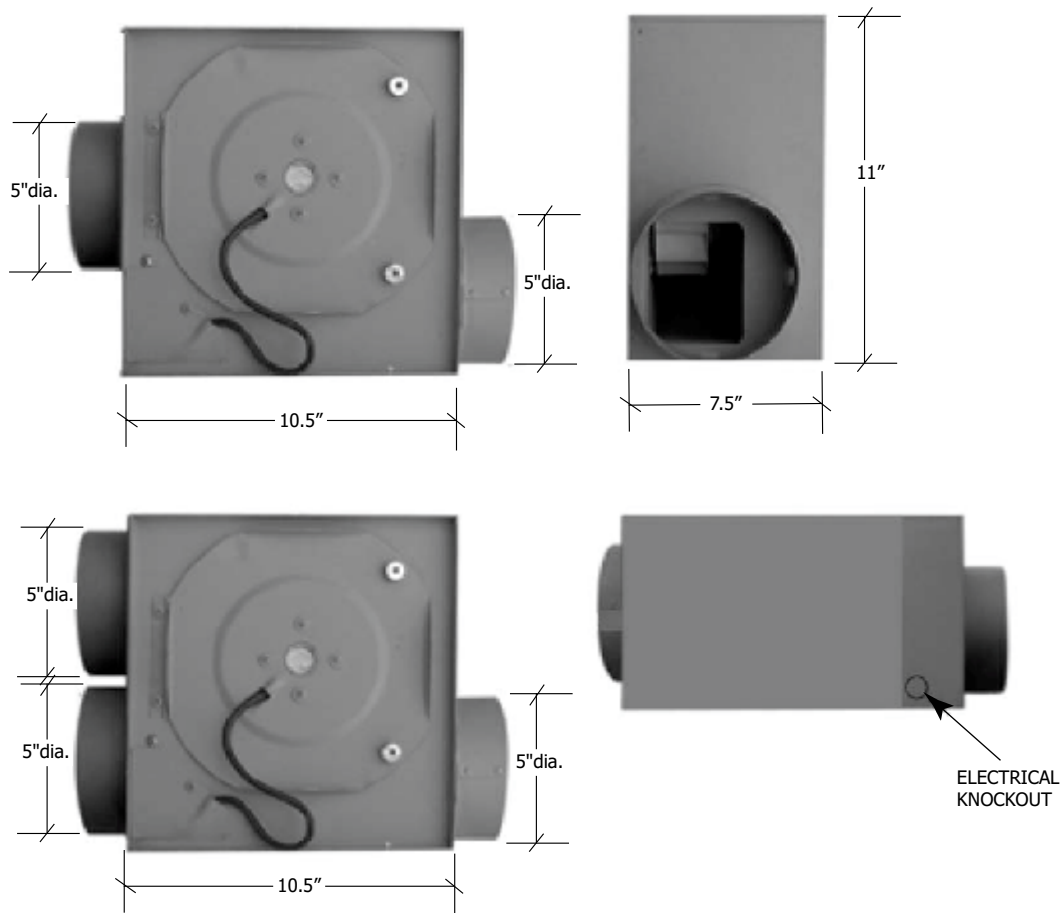


TLD-200ES (2 inlets) FAN DATA



Reversomatic Manufacturing Ltd.

790 Rowntree Dairy Road, Woodbridge, ON Canada L4L 5V3 • Tel: 905-851-6701 • Fax: 905-851-8376
www.reversomatic.com • info@reversomatic.com



Also available in stainless steel construction for gas dryer.

HVI CERTIFIED RATINGS

| MODEL | CFM @ 0.20SP. |
|----------------------|---------------|
| TLD-200ES (2 inlets) | 220 |

FAN DATA

| MODEL | MOTOR 120 VAC 60 Hz | | | CUBIC FEET PER MINUTE | | | | | | | | | | | | | |
|----------------------|---------------------|------|-------|-----------------------|------|------|------|------|------|------|------|------|------|------|------|------|------|
| | RPM | AMPS | WATTS | S.P. | 0.00 | 0.10 | 0.20 | 0.30 | 0.40 | 0.50 | 0.60 | 0.80 | 1.00 | 1.25 | 1.50 | 1.75 | 2.00 |
| TLD-200ES (1 inlet) | 2500 | 0.70 | 78 | CFM | 232 | 221 | 212 | 205 | 196 | 188 | 179 | 160 | 144 | 119 | 92 | 73 | 37 |
| TLD-200ES (2 inlets) | 2500 | 0.70 | 78 | CFM | 249 | 236 | 227 | 220 | 210 | 202 | 193 | 173 | 155 | 130 | 106 | 81 | 40 |

RPM (Revolution Per Minute) shown is nominal and performance is based on actual speed of test.

| | | | | |
|-------------|-----------------|-----------|------------|-------------|
| Contractor: | | TLD-200ES | | |
| Architect: | Job: | Data | Supersedes | Drawing NO. |
| Engineer: | Date Submitted: | | | |

Reversomatic Manufacturing Ltd.

790 Rowntree Dairy Road, Woodbridge, ON Canada L4L 5V3 • Tel: 905-851-6701 • Fax: 905-851-8376
 www.reversomatic.com • info@reversomatic.com