



RI-100, RI-150, RI-200, RI-250, RI-500, RI-700, RI-900, RI-1200

November 2013

**RI SERIES
GENERAL PURPOSE INLINE EXHAUST FANS**

- Engineered to provide effective and reliable operation making it perfect for general purpose inline ventilation.
- Low profile construction for ease of installation in confined spaces.
- Built with a well balanced air over motor impeller assembly, and a backward inclined wheel for smooth quiet operation.
- High efficiency motor. Available for 4", 5", 6", 8", 10" and 12" duct sizes.
- Fan housing constructed of heavy gauge satin coat steel with baked enamel finish.
- Suitable for use in high-rise condominium, office buildings, schools, boardrooms or where high volume quiet ventilation is required.
- The models RI-150, RI-200 & RI-250 meet Washington State Ventilation and Indoor Air Quality Code.

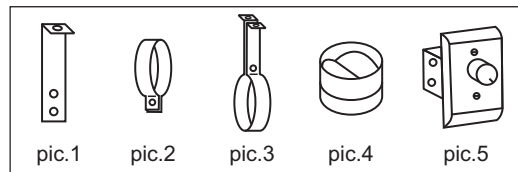
ACCESSORIES

Standard:

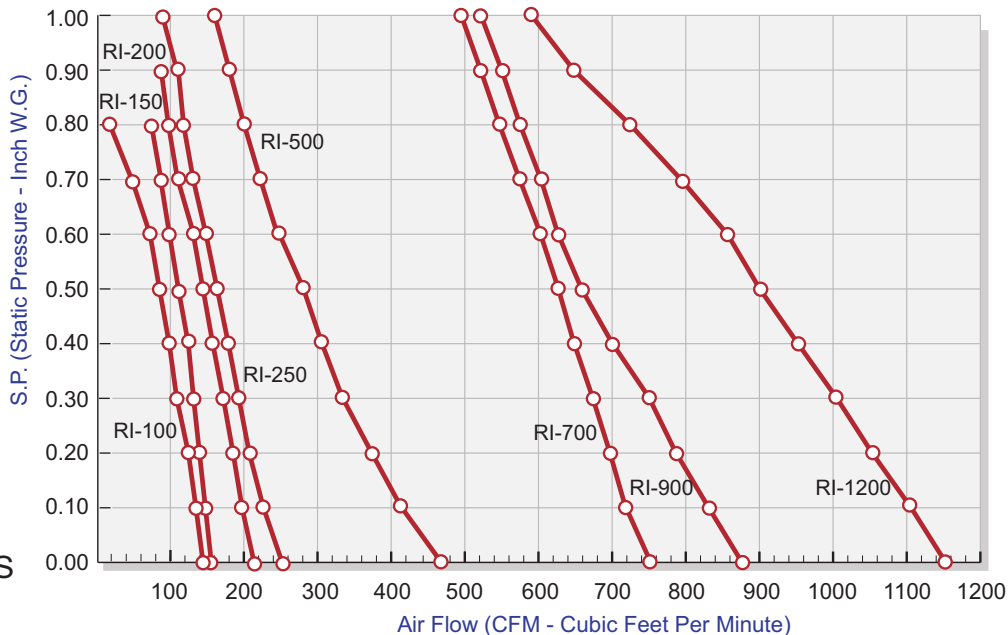
- Mounting brackets for wall or truss mounting (pic.1)

Optional:

- Mounting clamps for use with rigid duct, complete with foam rubber insulation (pic.2)
- Suspension bracket (pic.3)
- Backdraft damper with butterfly valve to prevent cold air from entering when fan is not in use (pic.4)
- Speed Controller (pic.5)



RI SERIES FAN DATA



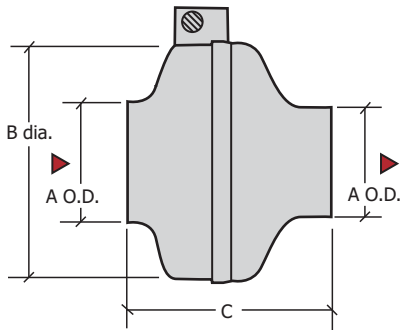
SOUND RATING

MODEL	RI-100	RI-150	RI-200	RI-250	RI-500	RI-700	RI-900	RI-1200
SOUND LEVEL	1.9 sones	2.2 sones	2.5 sones	2.7 sones	3.8 sones	5.1 sones	4.5 sones	4.5 sones

Reversomatic Manufacturing Ltd.

790 Rowntree Dairy Road, Woodbridge, ON Canada L4L 5V3 • Tel: 905-851-6701 • Fax: 905-851-8376
www.reversomatic.com • info@reversomatic.com

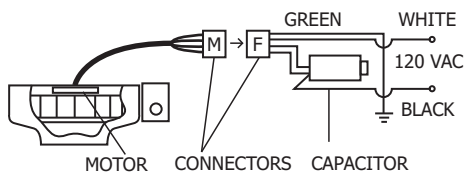
RI-100, RI-150, RI-200, RI-250, RI-500, RI-700, RI-900, RI-1200



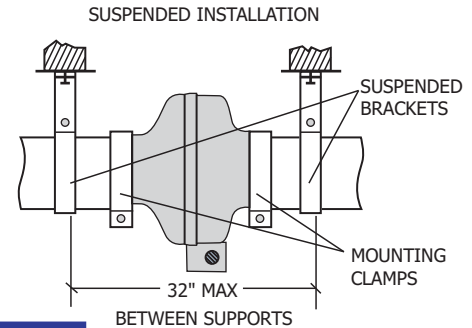
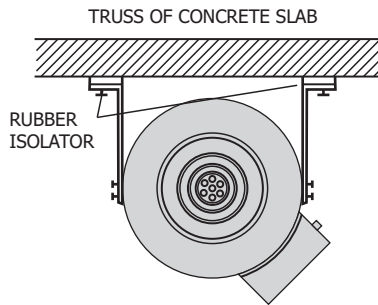
FAN SIZE

MODEL	RI-100	RI-150	RI-200	RI-250	RI-500	RI-700	RI-900	RI-1200
A	3-7/8"	3-7/8"	4-7/8"	5-7/8"	7-7/8"	9-7/8"	11-7/8"	11-7/8"
B	9-1/2"				13"	16"	18"	
C	8"				10"	12"	12-1/2"	

ELECTRICAL CONNECTION



INSTALLATION



FAN MOTOR

MODEL	RI-100	RI-150	RI-200	RI-250	RI-500	RI-700	RI-900	RI-1200
Watts	30	85	55	85	115	245	156	360
RPM	3200	2550	2650	2550	2550	3100	1520	1420
Capacitor (MFD)	4	8	6	8	10	25	14	24
Amp	0.26	0.80	0.45	0.80	1.0	2.2	1.4	1.5

PERFORMANCE CHART

MODEL	CUBIC FEET PER MINUTE AT STATIC PRESSURE										
	0.00	0.10	0.20	0.30	0.40	0.50	0.60	0.70	0.80	0.90	1.00
RI-100	146	136	126	115	101	87	72	47	17	-	-
RI-150	156	148	140	132	125	112	101	94	88	-	-
RI-200	183	174	164	152	139	127	109	95	81	70	57
RI-250	238	225	211	194	177	161	145	132	118	104	89
RI-500	457	412	373	340	307	277	247	225	198	175	146
RI-700	752	719	698	675	650	629	605	577	550	525	500
RI-900	875	830	786	750	700	659	632	605	581	553	525
RI-1200	1154	1107	1054	1006	953	901	857	794	725	648	592

RPM (Revolution Per Minute) shown is nominal and performance is based on actual speed of test. Unit was tested with inlet cone, backdraft damper and outlet duct.

Contractor:		RI SERIES		
Architect:	Job:	Data	Supersedes	Drawing NO.
Engineer:	Date Submitted:			

Reversomatic Manufacturing Ltd.

790 Rowntree Dairy Road, Woodbridge, Ontario L4L 5V3 Tel: 905-851-6701 • Fax: 905-851-8376
 www.reversomatic.com • info@reversomatic.com